

- Display draft beer variety with contemporary style.
- The draft tower is a marketing tool, not just a bar fixture.
- Exterior finish will provide years of durable service.
- Body is all stainless steel construction.



Polished Stainless Steel  
**DS-356-PSS**



Air Cooled




PVD Brass  
**DS-256-PVD**

## Features

Faucet knobs not included.

 Tarnish Free  
PVD Brass.

 Stainless Steel for  
hygiene and durability.

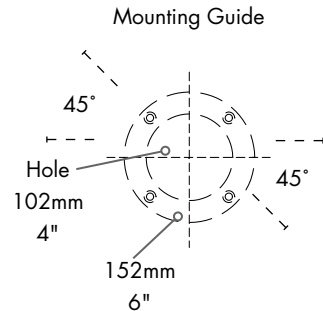
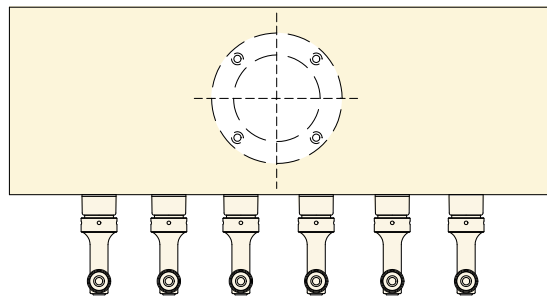
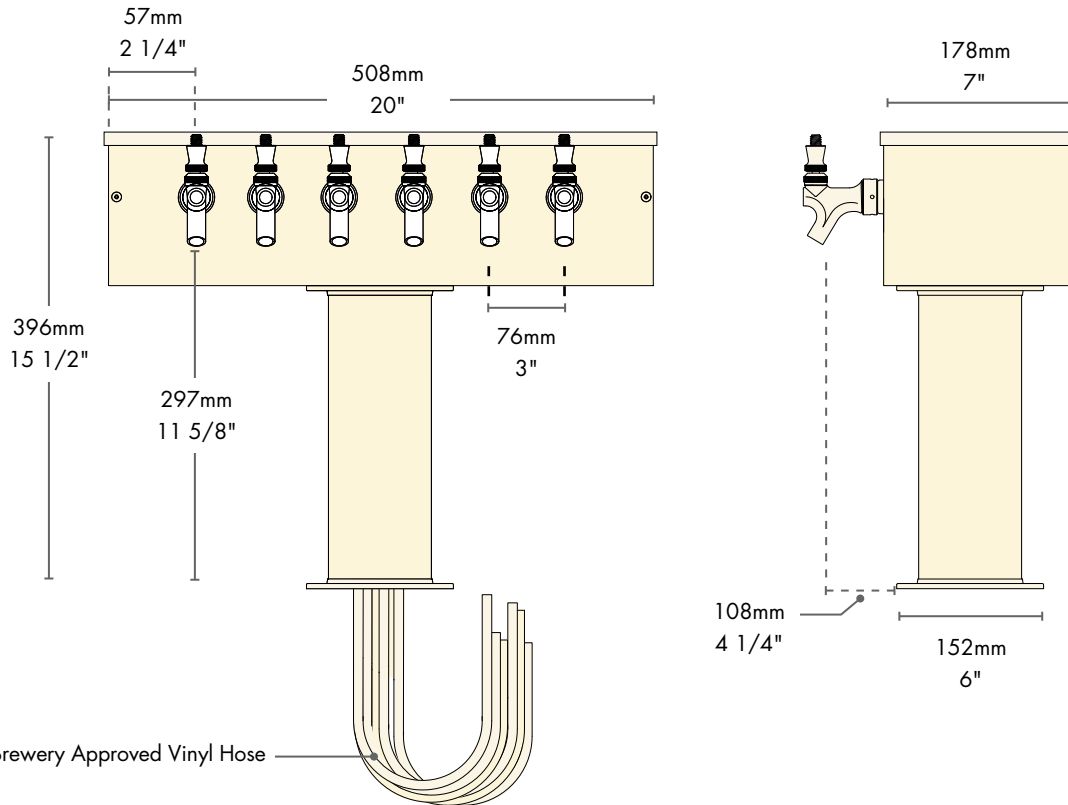
 Insulated &  
Air Cooled

# Specifications

Micro Matic reserves the right to change specifications without notice. **AUTOQUOTES**

Part No.	Faucets	Finish	Dispense System	Shipping Weight	Box Dimensions
<input type="checkbox"/> <a href="#">DS-356-PSS</a>	6	Polished S/S	Air Cooled	10 kg 22 lbs	1245mm L x 610mm W x 356mm H 49"L x 24"W x 14"H
<input type="checkbox"/> <a href="#">DS-256-PVD</a>	6	PVD Brass	Air Cooled	10 kg 22 lbs	1245mm L x 610mm W x 356mm H 49"L x 24"W x 14"H

# Dimensions



Copyright ©2011 Micro Matic USA, Inc. All Rights Reserved. 01060D0711



[www.micromatic.com](http://www.micromatic.com)

Toll Free: 1-(866) 327-4159

West	Central	Southeast	Northeast
19791 Bahama Street Northridge, CA 91324 Tel. (818) 701-9765 Fax. (818) 701-9844	10726 North Second Street Machesney Park, IL 61115 Tel. (815) 968-7557 Fax. (815) 968-0363	2364 Simon Court Brooksville, FL 34604 Tel. (352) 799-6331 Fax. (352) 796-2429	4601 Saucon Creek Road Center Valley, PA 18034 Tel. (610) 625-4464 Fax. (610) 625-4466